

DIMENSIONS

Part No.	a dim.	b dim.	c dim.
LEDB055	5"	10 1/4"	12"

LED 055 SERIES - 12VDC/30W LED WHITE LIGHT - WET AND DRY

1 Crystal Fountains-Underwater Light

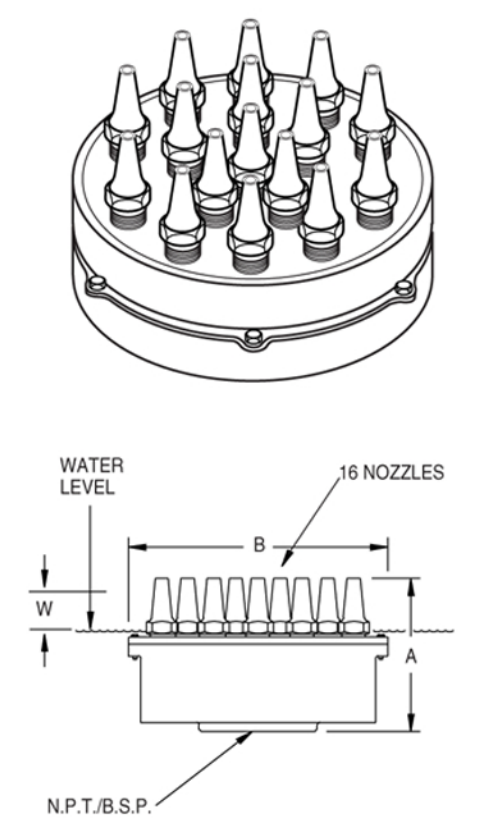
NPD Mist Column Pod

Function:
A majestic clear column of water which produces a misty and lacy effect. Ideal for evaporative or cooling ponds. Produces a good visual effect from a distance. **Not water level dependent.**

Specification:
Construction shall be machined brass and cast bronze with 16 custom DEFO precision nozzles.

Options: (Add suffix)
S - DEFO swivel connection (see ASL/ASU series)

Note: (for optimum effect)
1-DEFO ECW wind control panel recommended in windy locations.
2-Dimension 'W' (nozzle projection above water) must be maintained.



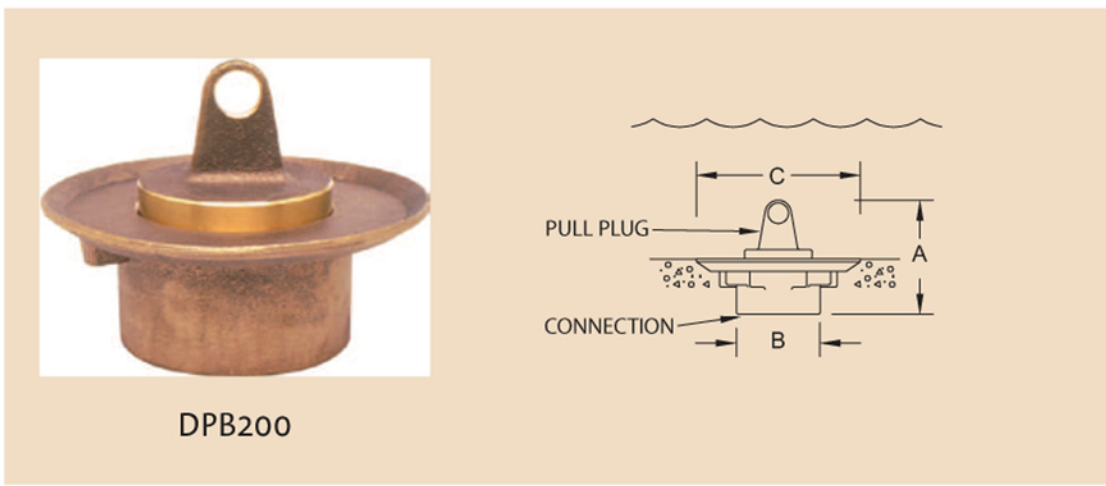
Dimensions		Performance												
DEFO no.	suction strainer openings required	a dim.	b dim.	w dim.	stream size	inlet (gpi)	spray height	10'	15'	20'	25'	30'	35'	40'
NPD-100	125"	8"	10"	3"	9"	3"	gpm head spread	100 13"	130 24"	147 30"	166 41"	185 46"	203 56"	221 65"

www.crystalfountains.com
crystal fountains
TORONTO CHICAGO LONDON
TEL (905) 660-6974 FAX (905) 660-6916

MIST COLUMN POD NPD

2 Crystal Fountains - Spray Nozzle

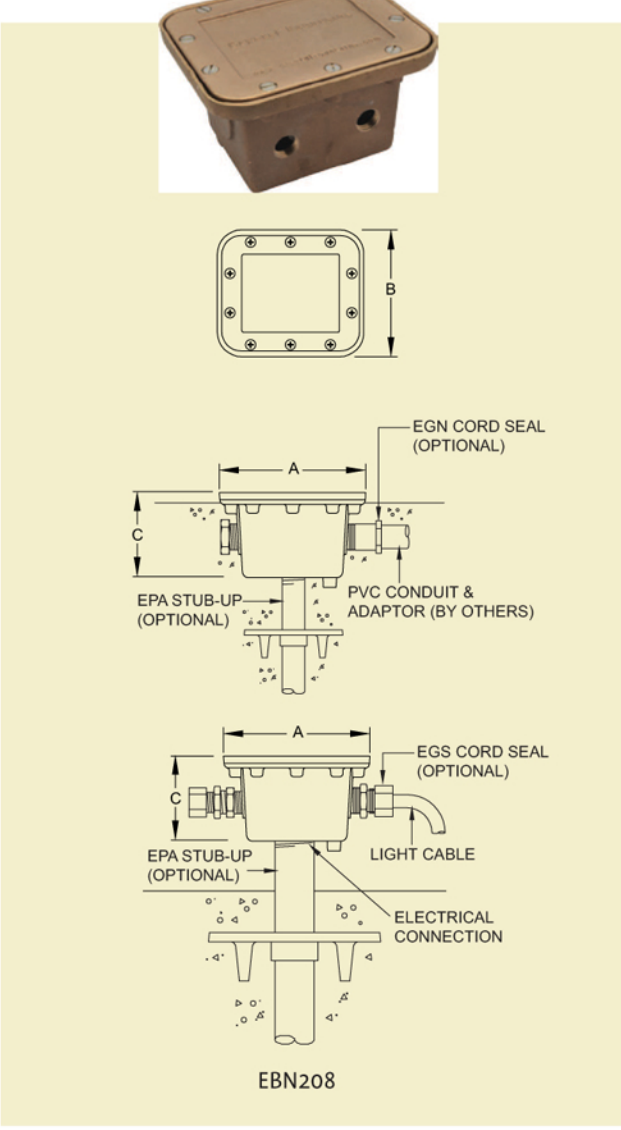
NPD 100 - MIST COLUMN POD



DIMENSIONS

Part No.	Inlet (b.s.p.t.)	a dim. (mm)	b dim. (mm)	c dim. (mm)
DPB200	2"	89	89	166
DPB300	3"	127	102	166
DPB400	4"	134	127	166

3 Crystal Fountains-Outlet Drain



EBN Series - Underwater Junction Box

Flush-mounted underwater electrical junction box for poured-in-concrete applications. Can also be conduit-mounted. Available in two sizes best used with brass cord seals (EGN) and brass conduit stub ups (EPA). Recommend to seal with junction box sealant (EJC/C20). UL and ULC listed. Made of cast bronze.

*Contact Crystal Fountains for detailed specifications, installation and operation details.

DIMENSIONS

Part No.	Electrical connection (b.s.p.t.)	side connections (b.s.p.t.)	a dim. (mm)	b dim. (mm)	c dim. (mm)	inside vol. (cu. cm.)
EBN04	1/2"	4 x 1/2"	64	166	169	
EBN208	1 1/2 to 2"	8 x 1/2" or 1"	194	166	195	400

4 Crystal Fountains-Underwater Junction Box

EP Series - Stub Up

Flanged bronze conduit stub ups adhere to electrical code, are leak-proof and strong. Stub ups provide watertight and secure penetrations through concrete and membranes directly into fountain pools. Works with EBJ or EBN bronze underwater junction boxes. Available in 3 versions for different applications. Made of red brass with cast bronze and available in custom lengths.

*Contact Crystal Fountains for detailed specifications, installation and operation details.

DIMENSIONS

Part No.	Electrical connection (b.s.p.t.)	a dim. (mm)	b dim. (mm)	c dim. (mm)
EPA050	1/2"	305	118	102
EPA075	3/4"	305	118	102
EPA100	1"	305	118	102
EPA125	1 1/4"	305	118	102
EPA150	1 1/2"	305	118	102
EPA200	2"	305	118	102
EPA300	3"	305	118	102

EPA - No Membrane Application

5 Crystal Fountains - Stub up

SPECIFICATIONS | SELF CLEANING PUMP SUCTION SCREEN | 12 Mesh

Model	Flow Rate (gpm)	Flow Rate (m ³ /hr)	Operating Pressure Range	Return Spray Bar (gpm)	A	B	C	D	E
CW 200	325	74	40 - 60	20	11"	25"	16"	4"	1 1/2"
CW 400	550	125	40 - 60	20	15"	28 13/16"	16"	6"	1 1/2"
CW 600	750	170	40 - 60	20	16"	32 1/2"	24"	8"	1 1/2"
CW 800	950	216	40 - 60	20	18"	34 1/2"	24"	10"	1 1/2"
CW 1000	1350	307	40 - 60	28	23"	39 1/2"	24"	10"	1 1/2"
CW 1400	1550	352	40 - 60	28	26"	42 1/2"	24"	12"	1 1/2"
CW 1700	1800	409	40 - 60	28	28"	44 1/2"	26"	12"	1 1/2"
CW 2000	2100	477	40 - 60	36	32"	48 1/2"	26"	14"	1 1/2"
CW 2400	2600	591	40 - 65	36	35"	52 1/2"	30"	16"	1 1/2"
CW 3000	3000	682	40 - 65	44	40"	57 1/2"	30"	16"	1 1/2"
CW 3500	3500	795	40 - 65	44	40"	59 1/2"	36"	18"	1 1/2"
CW 4000	4000	909	40 - 65	44	40"	63 1/2"	42"	18"	1 1/2"

6 Yardney - Suction Pump

CW 400 SERIES - www.yardneyfilters.com

Designer: AWH
Date: 11.14.2014
Scale: 1"-4"
Sheet #: 2 of 2
Drawing: 000614

REVISIONS

#	Change	Date

This drawing, the original landscape design, specifications, & details, depicted herein as instruments of service, are the sole & exclusive property of Clearwater Landscape & Nursery.

No reproductions or use of this drawing, specifications, &/or details depicted herein shall be made without the expressed written permission of Clearwater Landscape & Nursery.

Fountain @ Culler Lake
Baker Park | Frederick, MD

CLEARWATER Landscape & Nursery
9585 Doctor Perry Road
Ijamsville, Maryland 21754
301.607.4480 (phone)
301.607.4481 (fax)
www.clearwaterlandscape.com

